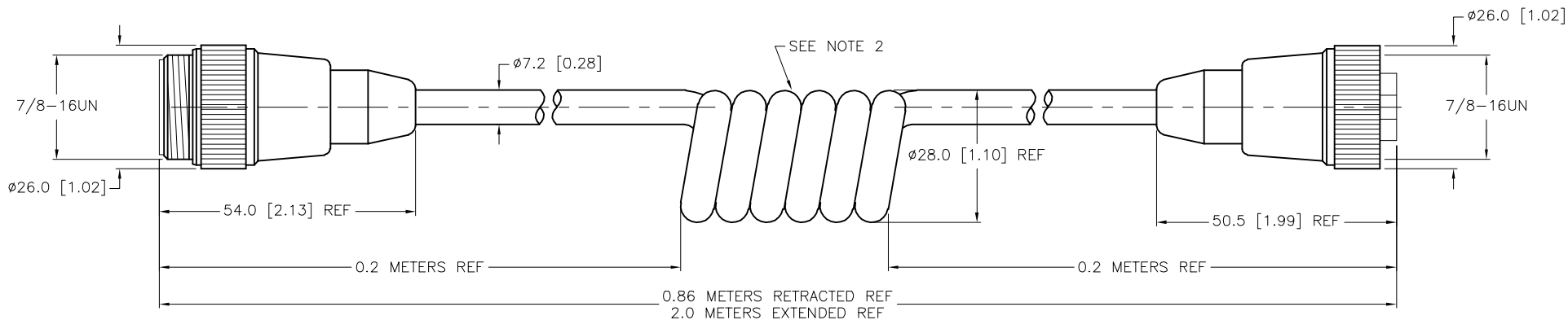


SPECIFICATIONS	
CONTACT CARRIER MATERIAL	TPU
MOLDED HEAD MATERIAL/COLOR	TPU/YELLOW
CONTACT MATERIAL/PLATING	BRASS/GOLD
COUPLING NUT MATERIAL/PLATING	BRASS/NICKEL
RATED CURRENT [A]	9.0 A
RATED VOLTAGE [V]	300 V
OUTER JACKET MATERIAL/COLOR	TPU/YELLOW
CONDUCTOR INSULATION MATERIAL	PVC
NUMBER OF CONDUCTORS [AWG]	4x18 AWG
TEMPERATURE RANGE	-40°C to +90°C (-40°F to +194°F)
PROTECTION CLASS	MEETS NEMA 1,3,4,6P AND IEC IP67



SOURCE DRAWING - FOR REFERENCE ONLY

- NOTES:
- "/S90" DESIGNATES THERMOPLASTIC POLYURETHANE (TPU) CABLE.
 - NUMBER OF COILS IS REFERENCE ONLY.

RELATED DOCUMENTS	3RD ANGLE PROJECTION	THIS DRAWING IS CONFIDENTIAL AND THE PROPERTY OF TURCK INC. USE OF THIS DOCUMENT WITHOUT WRITTEN PERMISSION IS PROHIBITED.		<p>3000 CAMPUS DRIVE MINNEAPOLIS, MN 55441 1-800-544-7769 (763) 553-7300 (763) 553-0708 fax www.turck.us</p>	
1.		DRFT	RWC	DATE	02/28/07
2.		APVD		SCALE	1=1.3
3.	ALL DIMENSIONS DISPLAYED ON THIS DRAWING ARE FOR REFERENCE ONLY	UNIT OF MEASUREMENT			DESCRIPTION
4.		MILLIMETER [INCH]			RSM RKM 40-2M/S90-SP
MATERIAL	CONTACT TURCK FOR MORE INFORMATION	IDENTIFICATION NO.			REV
SEE SPECIFICATIONS		U2-11249			C
FINISH		DO NOT SCALE THIS DRAWING			FILE: U2-11249
SEE SPECIFICATIONS		SHEET 1 OF 1			

REV	DESCRIPTION	BY	DATE	ECO NO.
C	UPDATE CABLE DIAMETER & COUPLING NUT SPEC, SEE ECO	BWC	01/14/11	33986